

Jesus wanted people to know more about God. What did He say in His prayer?

Follow the arrows and write the words below.

KNOWN	TO	THEM	ORDER	WILL	CONTINUE
GO	YOU	THAT	AND	IN	TO
HAVE	MADE	THE	LOVE	KNOWN	MAKE
I	FISH	AND	YOU	HAVE	YOU
NET	THAT	THEM	IN	FOR	ME
I	MYSELF	MAY	SPIRIT	BE	MAY
ALL	HEART	BE	IN	THEM	HEAR

CHILDREN

“ I \_\_\_\_\_  
 \_\_\_\_\_  
 \_\_\_\_\_  
 \_\_\_\_\_  
 \_\_\_\_\_  
 \_\_\_\_\_  
 \_\_\_\_\_  
 \_\_\_\_\_  
 \_\_\_\_\_  
 \_\_\_\_\_ ”

Ages 7+

June 21, 2020 • John 17:20-26

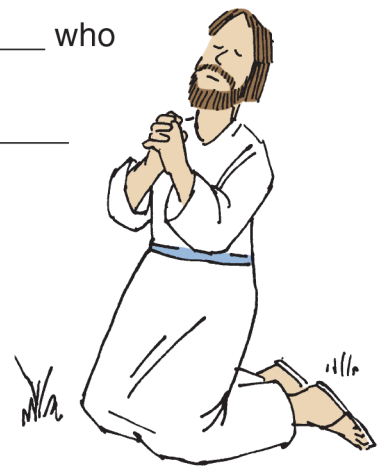
# Jesus Prays for All Believers

Jesus was praying for His disciples. He said, “I pray for these men. But I am also praying for ...”

Write the words on the numbered blanks.

- |             |         |            |               |
|-------------|---------|------------|---------------|
| 1 = all     | 4 = Me  | 7 = people | 10 = teaching |
| 2 = believe | 5 = men | 8 = pray   | 11 = world    |
| 3 = Father  | 6 = one | 9 = sent   | 12 = You      |

... all \_\_\_\_\_ who will \_\_\_\_\_ in \_\_\_\_\_  
 because of the \_\_\_\_\_ of these \_\_\_\_\_  
 I \_\_\_\_\_ that all \_\_\_\_\_ who  
 \_\_\_\_\_ in \_\_\_\_\_ can be \_\_\_\_\_  
 ... so that the \_\_\_\_\_ will  
 \_\_\_\_\_ that \_\_\_\_\_  
 \_\_\_\_\_ ”



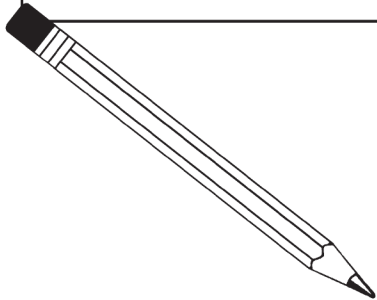
Find and circle the underlined words in the puzzle below.  
Some will be found more than one time. They are → ↓ ↘ ← ↑.

Jesus prayed:

“I have given them the glory  
that You gave Me, that they  
may be one as We are one —  
I in them and You in Me.”



H	T	H	E	M	G	L	O	R	Y
A	Y	A	S	M	E	I	N	I	E
V	W	O	T	G	I	V	E	N	H
E	E	E	U	H	T	H	E	G	T
Y	T	A	H	T	E	T	H	A	T
O	N	E	Y	A	M	M	M	V	B
U	A	R	E	O	D	N	A	E	E



Write the letter that's missing from the second word of each pair to find two important words from today's verses.

① \_\_\_\_\_

in ounce not in cone ...

in near not in are ...

in time not in met ...

in float not in loaf ...

in pansy not in span ...

② \_\_\_\_\_

in singer not in rinse ...

in table not in beat ...

in hoarse not in share ...

in pester not in steep ...

in daisy not in said ...